

Roll No.

Total Pages : 03

BT-2/M-17

8234

ENGINEERING DRAWING
AND GRAPHICS (EVEN)
ME-105-N (Group III)

Time : Three Hours]

[Maximum Marks : 75

Note : Attempt *Five* questions in all, selecting at least *one* question from each Unit.

Unit I

1. The shortest distance of a point P from reference line is 55 mm. Draw its projections if the point is placed at a height of 15 mm above H.P. Mention all assumptions regarding quadrant and scale used, clearly, alongside the solution. 15
2. A line AB has its end A 20 mm above HP and 30 mm in front of VP. The other end B is 50 mm above HP and 60 mm in front of VP. The distance between the end projectors is 65 mm. Draw its projections, also find the true length and true inclinations of the line with HP and VP and mark the traces. 15

(2-64/1) L-8234

P.T.O.

Unit II

3. A regular hexagonal plate of side 30 mm has its surface perpendicular to both HP and VP. Draw its projections when two of the sides are parallel to HP. 15
4. A pentagonal pyramid side of base 25 mm and axis 50 mm long lies with one of its triangular faces on HP and its axis is parallel to VP. Draw its projections. 15

Unit III

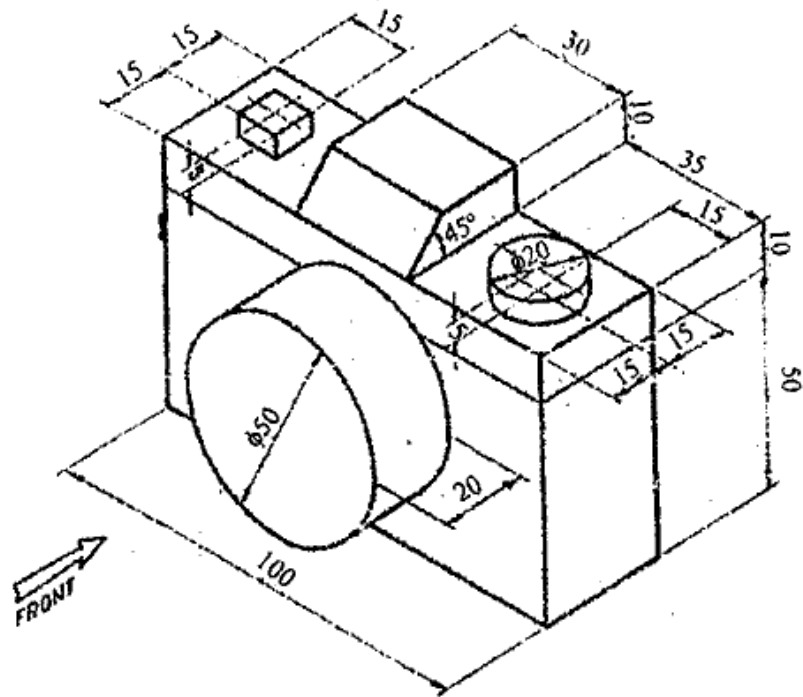
5. A pentagonal pyramid of base edge 30 mm and height 60 mm is resting on its base with one base edge perpendicular to VP. A cutting plane at 50 degree with HP perpendicular to VP and passing through a corner cuts the pyramid. Draw the sectional front view, top view and side view of the bottom portion and the true shape of the section. 15
6. A pentagonal pyramid of base side 20 mm and altitude 55 mm rests on one of its base on the HP, with one of the base edges being perpendicular to the VP. It is cut by a plane inclined at 50° to the base. The cutting plane meets the axis at 15 mm above the base. Draw the front view, sectional top view and true shape of section. 15

L-8234

2

Unit IV

7. Draw the front view, top view and side view of the following object : 15



8. Draw the three orthographic views of Square nut. 15